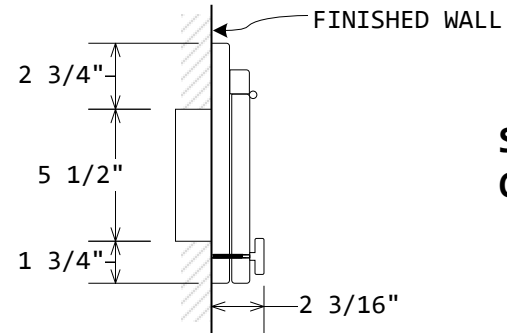
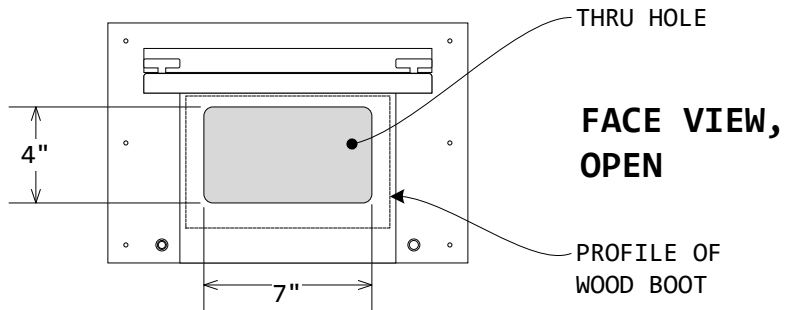


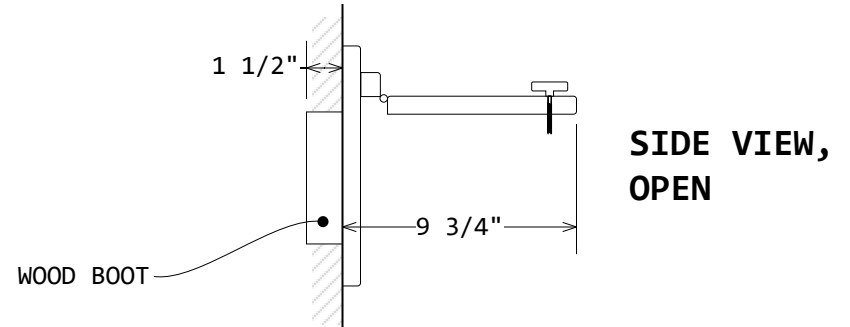
**FACE VIEW,
CLOSED**



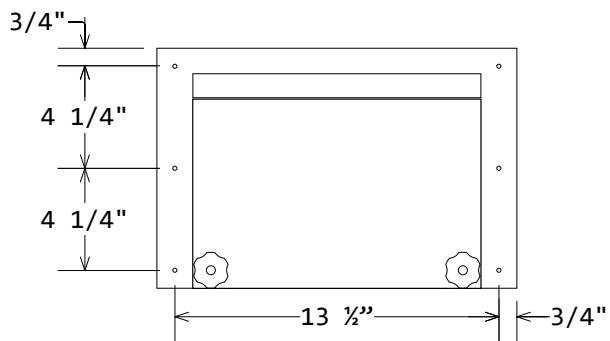
**SIDE VIEW,
CLOSED**



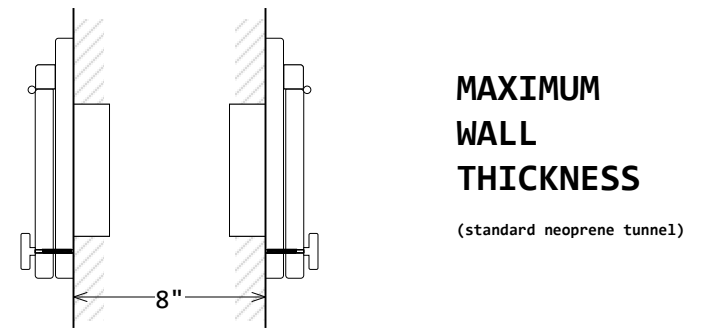
**FACE VIEW,
OPEN**



**SIDE VIEW,
OPEN**

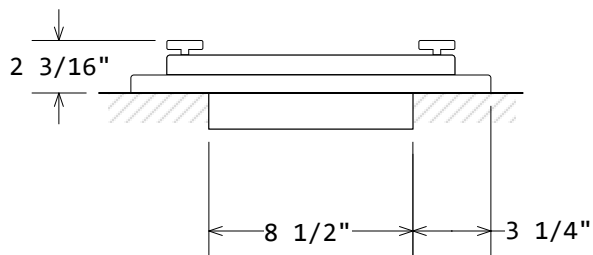


**MOUNTING
HOLE
LOCATIONS**

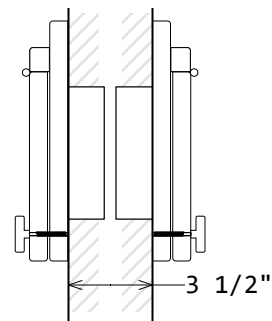


**MAXIMUM
WALL
THICKNESS**

(standard neoprene tunnel)



TOP VIEW



**MINIMUM
WALL
THICKNESS**